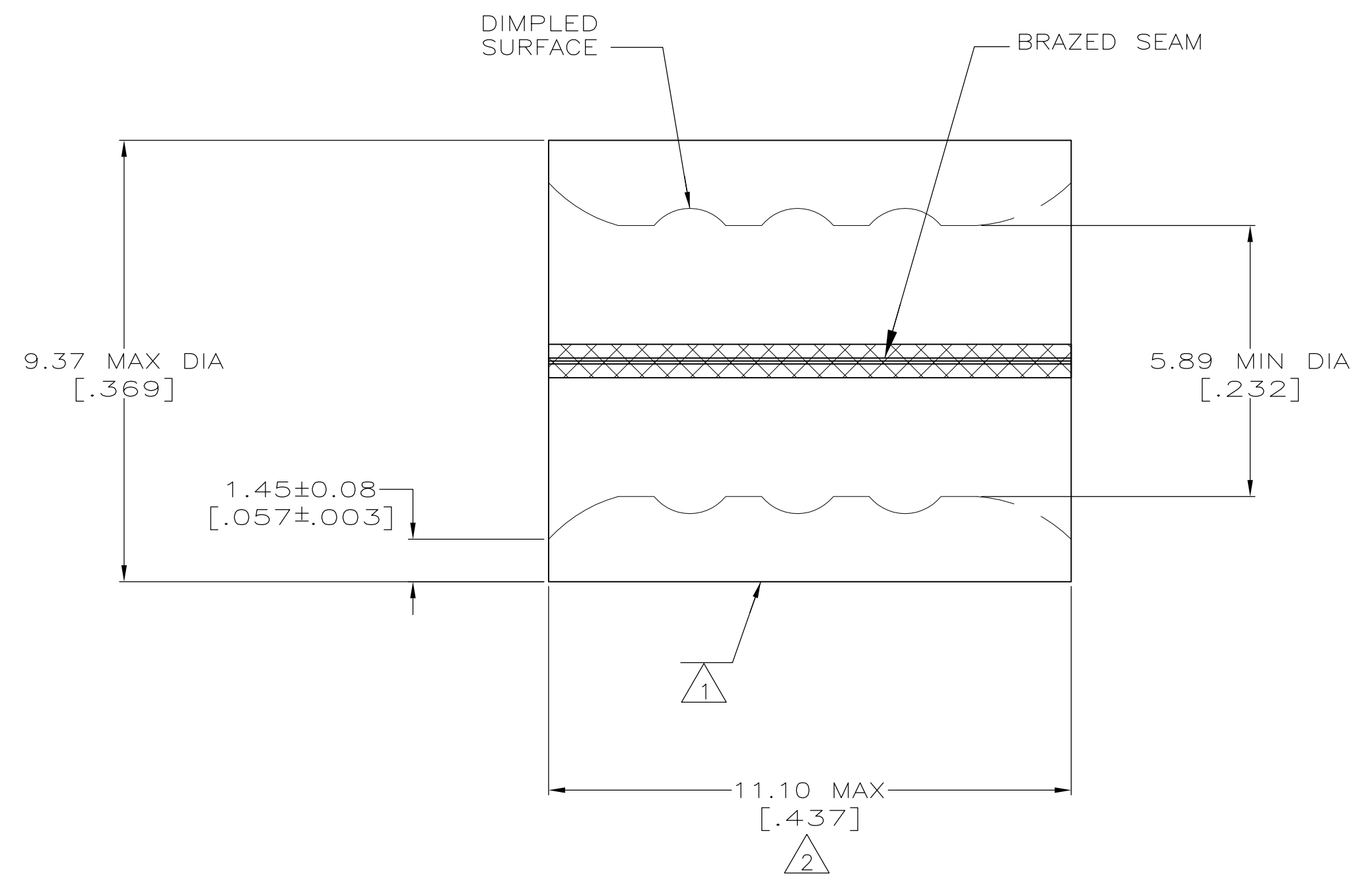


| LOC | DIST | REVISIONS | | | |
|-----|------|-------------|---------------------------|---------|--------|
| P | LTR | DESCRIPTION | DATE | DWN | APVD |
| G | 14 | K3 | REVISED PER ECR-08-022232 | 06OCT08 | HMR TM |

AMP
WIRE RANGE

6 AWG
SOLID OR STRANDED

- 1 STAMP AMP 6W* APPROX AS SHOWN
- 2 MAXIMUM LENGTH DOES NOT INCLUDE MANUFACTURING TABS
- 3 MATERIAL: COPPER PER ASTM B-152 ANNEALED
- 4 UL LISTED E13288, 6 AWG STRANDED
- 5 CSA CERTIFIED LR7189, 6 AWG SOLID OR STRANDED.



| | | |
|--|--|---|
| AMP INCORPORATED CUSTOMER SERVICE SYSTEMS | | MAX RECOMMENDED OPERATING TEMPERATURE: 170° C |
| FOR ADDITIONAL PRODUCT INFORMATION OR COPIES OF DRAWINGS AND TECHNICAL DOCUMENTS | PRODUCT INFORMATION CENTER 1-800-522-6752 | VOLTAGE RATING: N/A |
| FOR APPLICATION TOOLING INFORMATION | TOOLING ASSISTANCE CENTER 1-800-722-1111 | CIRCULAR MIL AREA: 10.5-16.8mm ² [20,800-33,100] SOLID OR STRANDED |
| FOR ORDER ENTRY | 1-800-526-5142 | THIS DRAWING IS A CONTROLLED DOCUMENT FOR AMP INCORPORATED. IT IS SUBJECT TO CHANGE AND THE CONTROLLING ENGINEERING ORGANIZATION SHOULD BE CONTACTED FOR THE LATEST REVISION. |

| APPROVALS | QTY | FINISH | PACKAGE TYPE | PART NO |
|-----------|-----|--|------------------|-----------|
| 4 5 | 20 | 0.00254 [.000100] MIN TIN ASTM B-545 | LOOSE PIECE, BOX | 8-34319-5 |
| --- | --- | TIN/LEAD (60/40) 0.00254 [.000100] MIN TIN SAE-AMS-P-81728 | LOOSE PIECE | 34319-1 |
| 4 5 | --- | 0.00254 [.000100] MIN TIN ASTM B-545 | LOOSE PIECE | 34319 |

THIS DRAWING IS A CONTROLLED DOCUMENT.

| | | | |
|----------------------------|--|---------------------------------|---|
| DIMENSIONS: mm [INCHES] | TOLERANCES UNLESS OTHERWISE SPECIFIED: | DWN TA BRINKMAN 4-14-93 | Tyco Electronics Corporation Harrisburg, PA 17105-3608 |
| | 0 PLC ± - | CHK DA PATTERSON 4-14-93 | |
| | 1 PLC ± - | APVD DA PATTERSON 4-14-93 | |
| | 2 PLC ± - | PRODUCT SPEC | |
| MATERIAL | FINISH | APPLICATION SPEC | NAME SPLICE, PARALLEL, SOLISTRAND |
| - 3 | SEE TABLE | RESTRICTED TO | SIZE A2 |
| CUSTOMER DRAWING | | WEIGHT | CAGE CODE 00779 |
| | | SCALE | DRAWING NO G-34319 |
| | | SHEET | 1 OF 1 |
| | | REV | K3 |